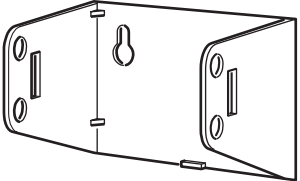
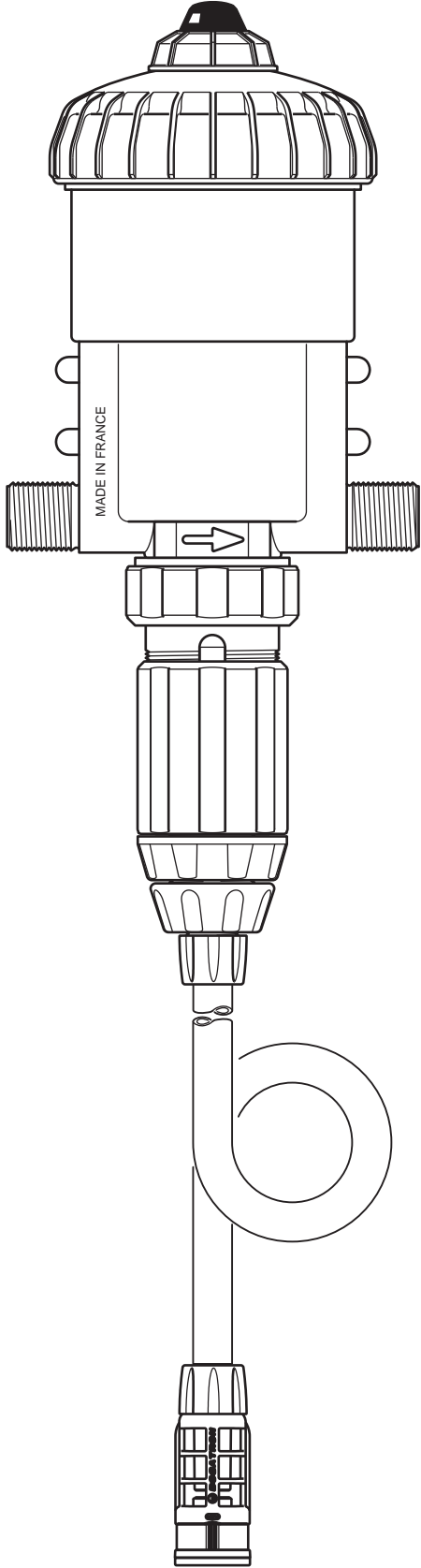


# D25RE10

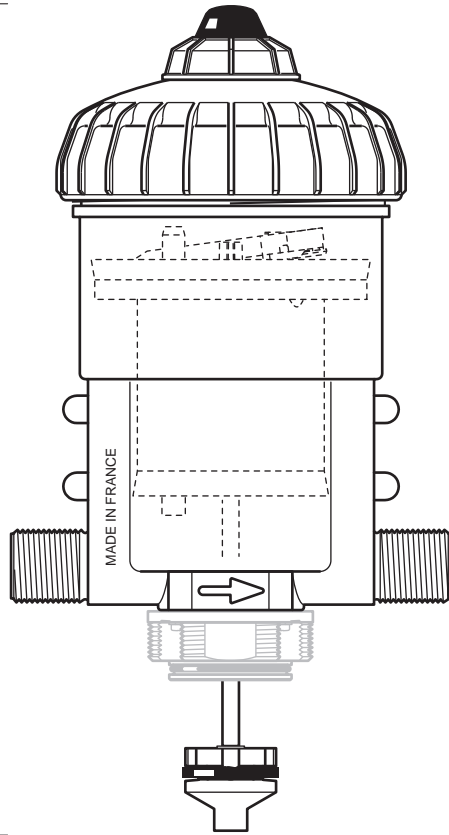
2 m<sup>3</sup>/h - 3 - 10%  
9 GPM - 1:33 - 1:10  
0.3 - 6 bar  
4.3 - 85 psi



# D25RE10

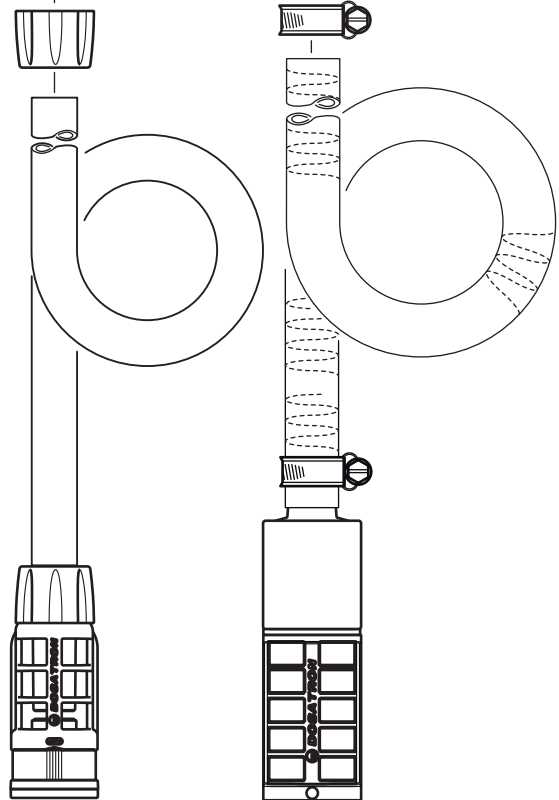
2 m<sup>3</sup>/h - 3 - 10%  
9 GPM - 1:33 - 1:10  
0.3 - 6 bar  
4.3 - 85 psi

**C+M**

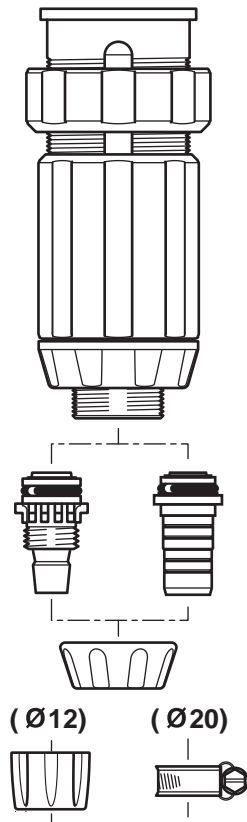


**A**

**Option "V"**

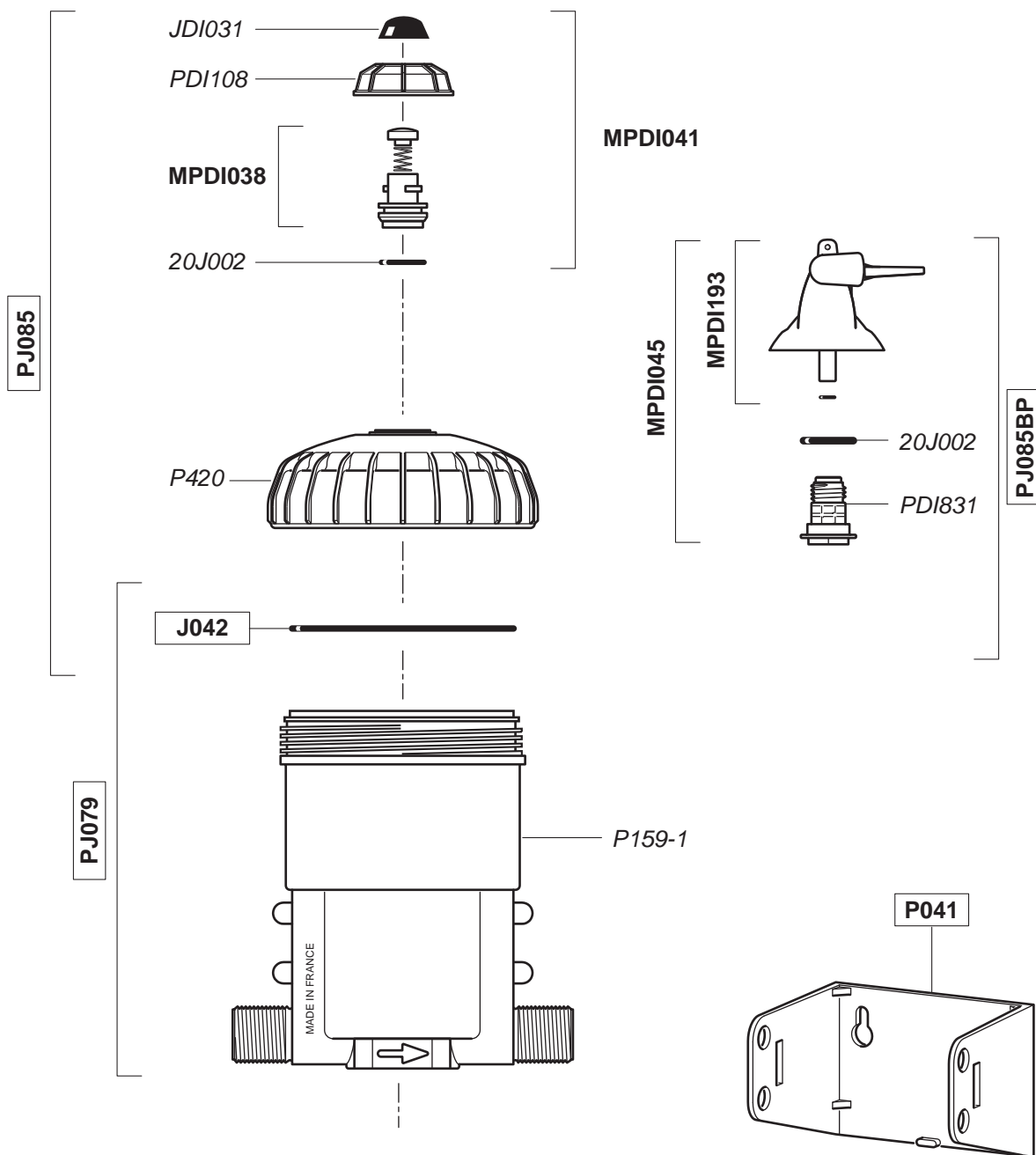


**D**



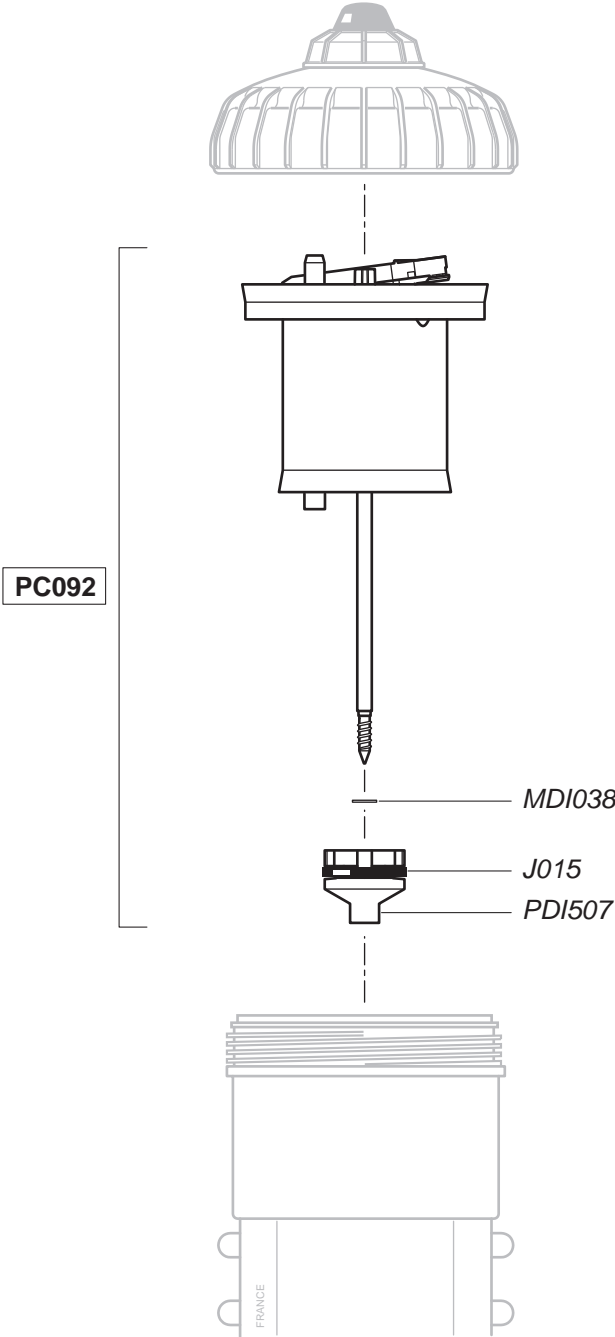
# D25RE10

2 m<sup>3</sup>/h - 3 - 10%  
 9 GPM - 1:33 - 1:10  
 0.3 - 6 bar  
 4.3 - 85 psi



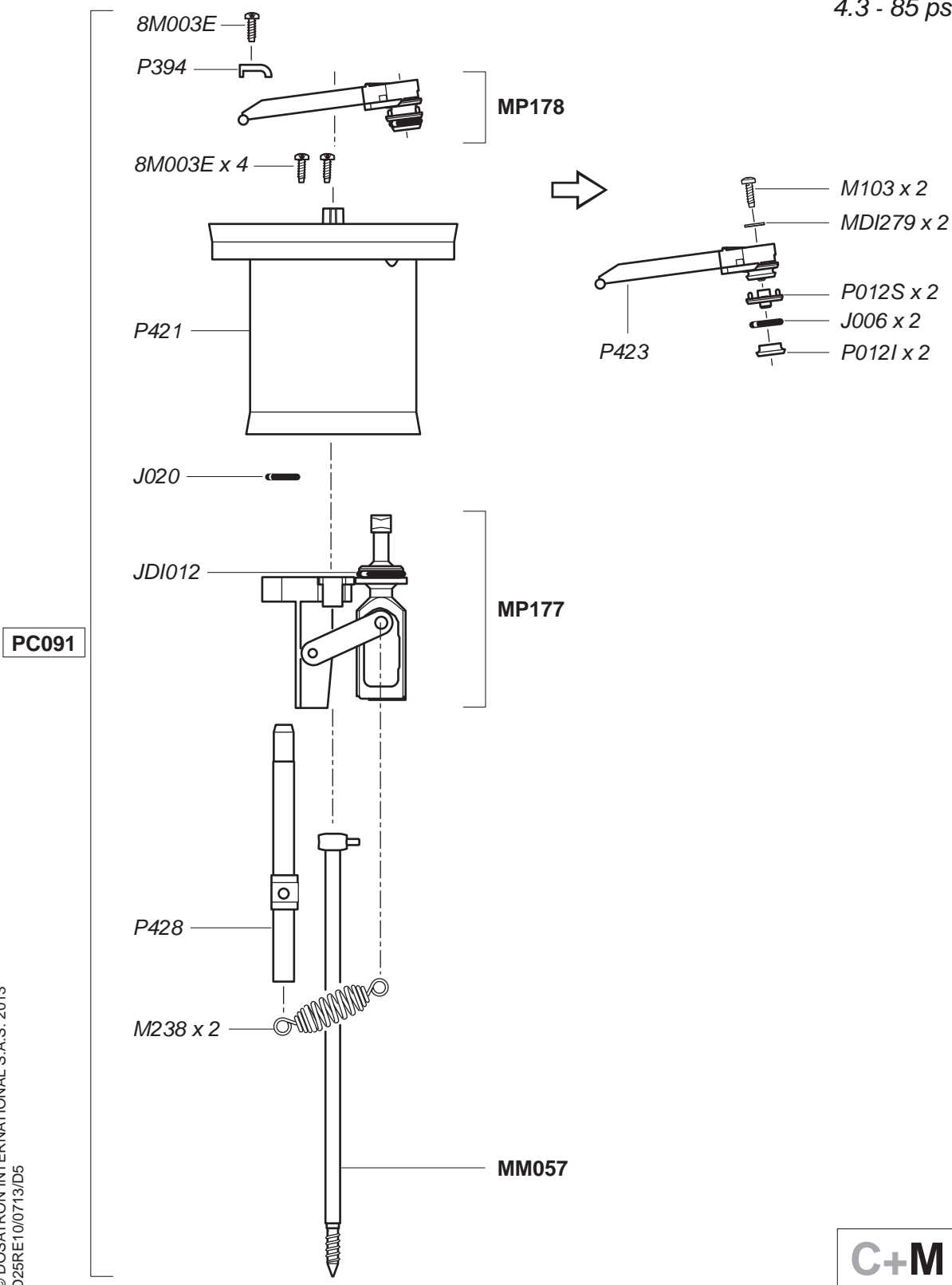
# D25RE10

2 m<sup>3</sup>/h - 3 - 10%  
9 GPM - 1:33 - 1:10  
0.3 - 6 bar  
4.3 - 85 psi



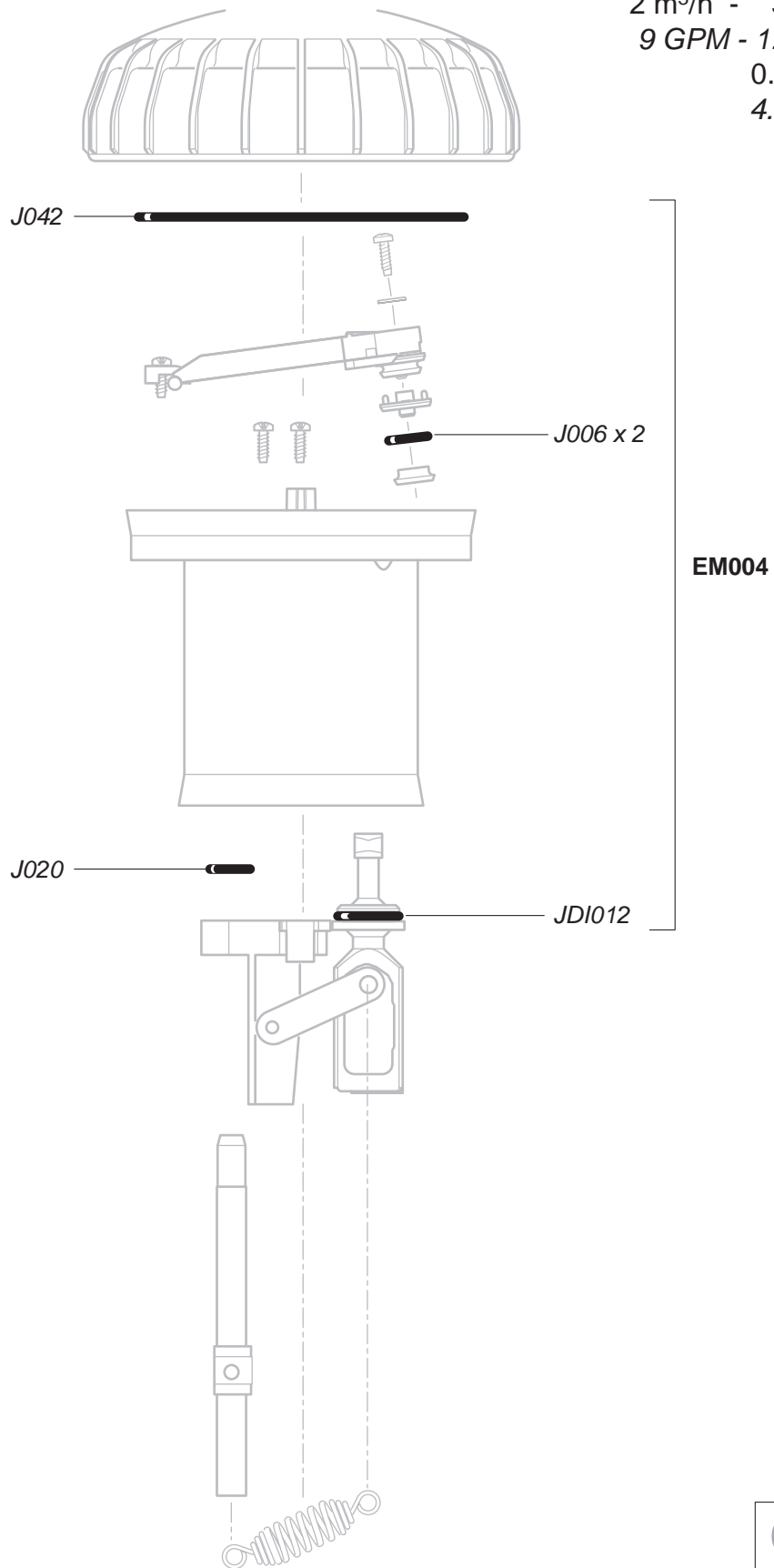
# D25RE10

2 m<sup>3</sup>/h - 3 - 10%  
9 GPM - 1:33 - 1:10  
0.3 - 6 bar  
4.3 - 85 psi



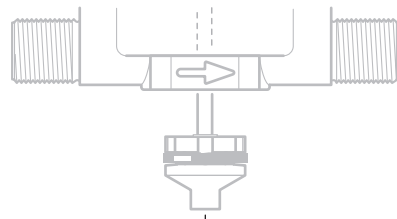
# D25RE10

2 m<sup>3</sup>/h - 3 - 10%  
9 GPM - 1:33 - 1:10  
0.3 - 6 bar  
4.3 - 85 psi



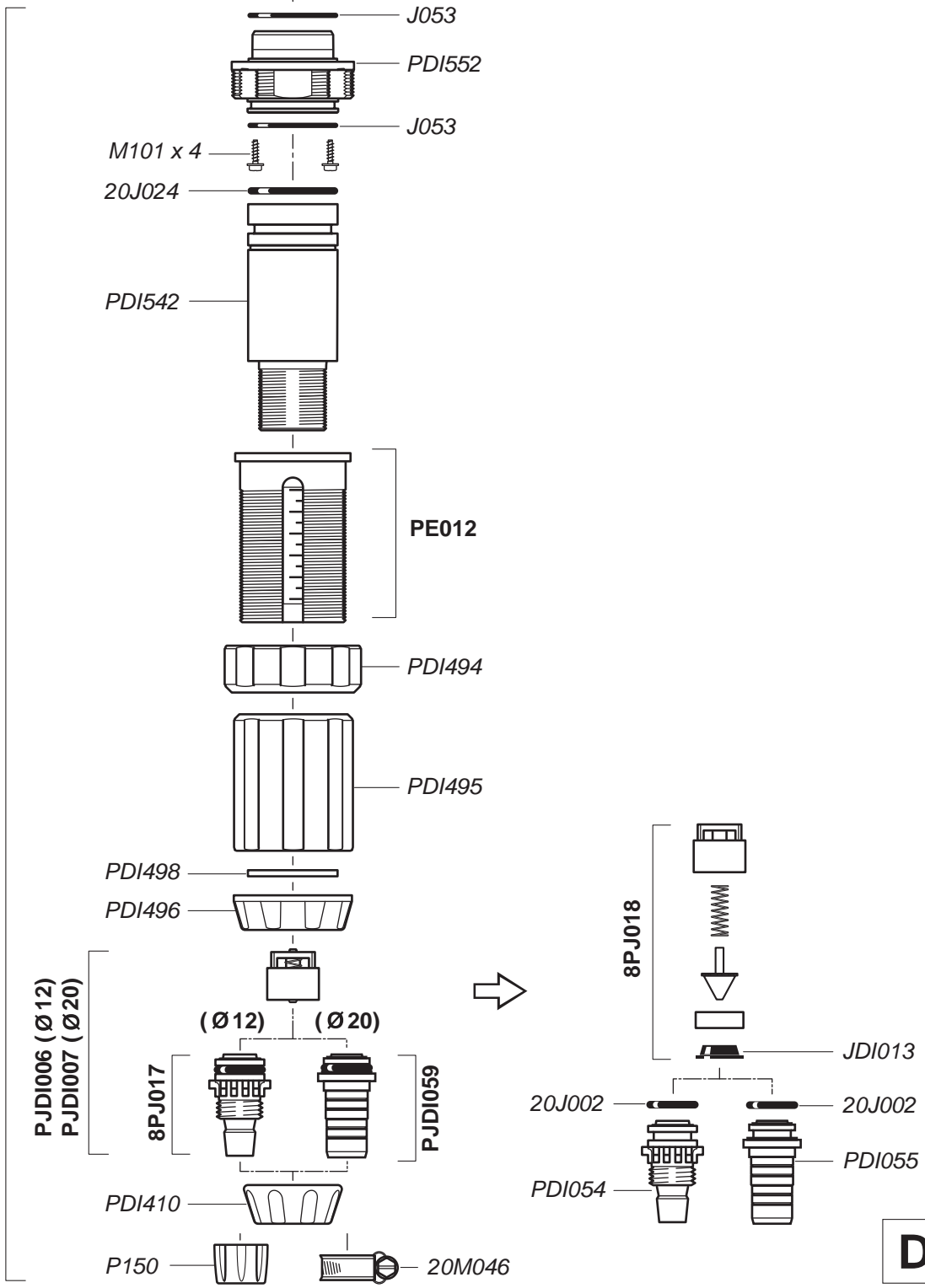
# D25RE10

2 m<sup>3</sup>/h - 3 - 10%  
 9 GPM - 1:33 - 1:10  
 0.3 - 6 bar  
 4.3 - 85 psi



CD089 (Ø 12)  
 CD089V (Ø 20)

© DOSATRON INTERNATIONAL S.A.S. 2013  
 D25RE10/0713/D7



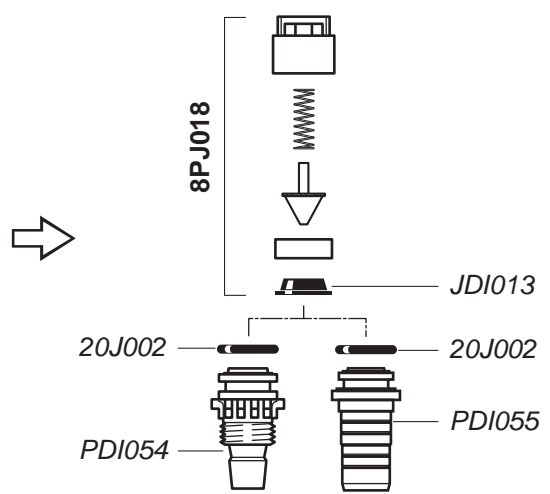
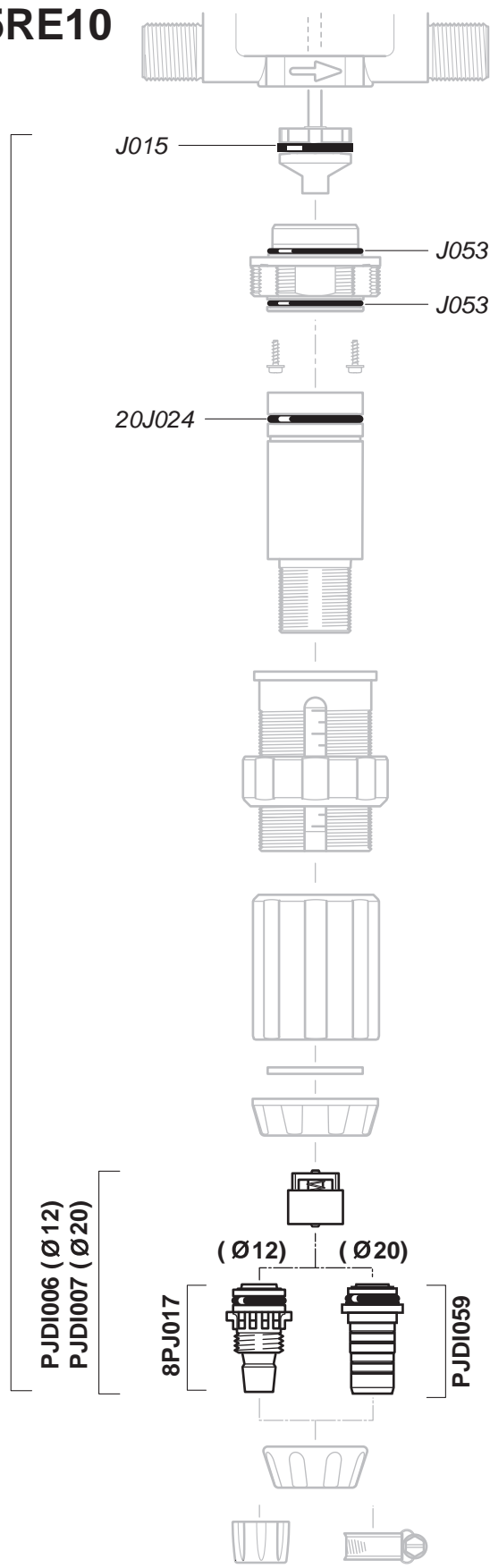
**D**

# D25RE10

2 m<sup>3</sup>/h - 3 - 10%  
 9 GPM - 1:33 - 1:10  
 0.3 - 6 bar  
 4.3 - 85 psi

PJ120 (Ø 12)  
 PJ120V (Ø 20)

© DOSATRON INTERNATIONAL S.A.S. 2013  
 D25RE10/0713/D8

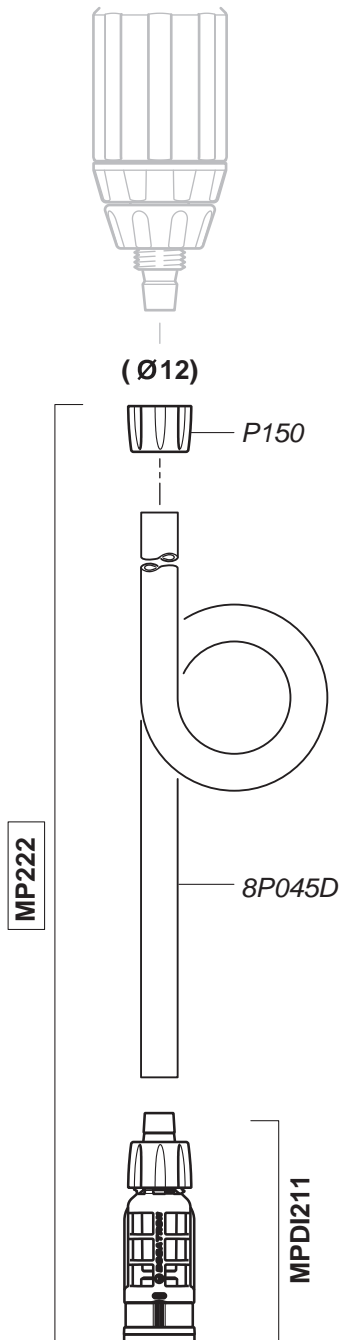


**D**



# D25RE10

2 m<sup>3</sup>/h - 3 - 10%  
9 GPM - 1:33 - 1:10  
0.3 - 6 bar  
4.3 - 85 psi



## Option "V"

